

INSTALLATION MANUAL

ENGLISH



HOMEVISION 1 & 2

INTRODUCTION

Thank you for purchasing the motorized Homevision screen. This screen is made entirely with first-class materials, including a high quality projection surface to guarantee excellent performance for your installation.

WARNINGS

Before installing the screen, please read the following instructions carefully. We would recommend that these instructions are stored safely for future reference.

When opening the packaging of the screen, please **DO NOT USE CUTTERS** or **OTHER SHARP TOOLS** that can damage the screen inside. During opening the packaging and during installation, it is recommended to use work gloves.

Depending on the screen weight, it has to be handled by at least two or three persons taking care to the following ratio KG/PERSON: MALE 25 kg. – FEMALE 15 kg.

The manufacturer does not take responsibility for any damage to property or personal injury if the screen is used outside of recommended specifications or in case of incorrect/poor quality installation.

CERTIFICATIONS

Motorized screens Homevision are  certified.

The surfaces for projection used on the products are cadmium-free and are fire-proof certified as follows:

- class M1 – CINOPAQUE HC, WOVEN SOUND FABRIC, INFRA, RETRO CREAM
- class M2 – HIGH CONTRAST, HIGH CONTRAST MICROPERFORATED
- class B1 – CINECITTA 240, CINECITTA 240 MICROPERFORATED

WARRANTY

This projection screen is guaranteed 2 years from the purchase date for manufacturing defects.

Responsibility is limited to repairing or substitution of the defected components and without any other charge at our expense.

Warranty is officially voided if the screen has been dismantled or it is returned with collision damage or defective due to incorrect installation. Repairs must be carried out by an Approved Screen International Certified Engineer.

Warranty is officially voided if:

- 1) the motor is removed / dismantled;
- 2) the screen has been transit damaged;
- 3) the instructions regarding the electrical connections have not been followed;
- 4) the products have to be installed following the electric regulations (CEI) and the other local specific laws;
- 5) in the installation are used electric interfaces that does not allow the correct time lapse between up and down operation (complete cut down of electric power on both phases for half a second)
- 6) electrical accessories have been used that are incompatible with the screen motor causing damage to its internal components;
- 7) the motor end stops have been modified without the authorisation of the factory;
- 8) the sticker regarding the serial number of the product has been altered, deleted, removed or is illegible.

DO NOT install this screen nearby or over heating or air conditioning systems, because PVC is a plastic material which dilates and remains damaged if it is subjected to heat and/or cool air.

DO NOT install this screen either facing direct sun light or blocking a window as PVC could be damaged and make waves for the explanations given above.

The PVC cloth is very sensitive to temperature range. We advise to mount the screen in environments with an ambient temperature in the range of 18°-25°C.

We advise you to wait 2 hours for the screen to acclimatise before using the screen after delivery, especially if screen is brought into a warm environment from cold.

In case the screen is new or it has been rolled up for long time, roll down the screen and leave it open for ca. 24/48 hrs. with an ambient temperature in the range of 18°-25° C in order to get a perfect flatness of the cloth

DO NOT WASH the projection surface with alcohol or solvent nor with commercial cleaners. Every now and then dust the surface with a dry and clean duster.

Please, be very careful because any kind of stain on projection surfaces is inerascable.

The screen has to be used showing the total projection sizes indicated on the packaging; therefore it is **NOT** allowed to adjust the end stops to restrict the total drop or extend it. Restricting the total drop of the screen is likely to cause your screen surface to lose its flatness.

When the screen is not completely rolled down (as by factory setting), flatness of the cloth is **NOT** guaranteed and therefore not covered by warranty.

DO NOT HANG TO THE SCREEN and **DO NOT HANG ANY OBJECT** to it. Please take care that children **DO NOT PLAY** with the screen as they can get severely injured.

The manufacturer will not accept returns of screen for repair without manufacturer's authorization (RMA number) and without a suitable packaging.

INSTALLATION INSTRUCTIONS

1. ASSEMBLY

The product has to be installed and used conform to the laws in force within the country where the product is used.

Our screen is supplied with ceiling/wall brackets suitable for fixing it on the wall or ceiling by heavy duty bolts that are supplied in the packaging (Fig. 1). During installation, please take care to use security belts in order to secure the screen housing.

WARNING: DO NOT INSTALL THE SCREEN NEAR HEATING SOURCE BECAUSE IT DAMAGES THE PROJECTION SURFACE. Prior to installing the roller screen, ensure the ceiling/wall is suitable for the loading induced by the weight of the screen. Take particular care if the construction is timber or stud partitioning. If in doubt, seek the advice of a structural engineer. Please be aware that the screen is heavy and two or more people may be required to lift it safely. Fix the brackets to the wall/ceiling, insert the clamp screws into the threaded holes on the front of the fixing brackets, hook roller case in tab on bracket and tighten the clamp screws to the front groove to lock the screen in position (Fig. 2). Release the screen transport straps. Cut and release the screen from the ribbon that keeps the bottom bar tightened. At the end of the installation, please check that the motorized screen is perfectly level.

CAUTION: CHECK EVERY 6 MONTHS THAT SCREWS, WALL PLUGS AND BRACKETS ARE IN GOOD CONDITIONS AND WELL TIGHTENED.

2. ELECTRIC CONNECTION

Connection of the power supply must be carried out by qualified personnel only, using the diagram showed on Fig. 3. Pay attention to wire colours and fix the switch near the screen as we recommend the projection surface is visible to the operator. *Never connect more than one screen motor to the same switcher.* Use the supplied switcher only.

IN CASE OF MAINTENANCE, UNPLUG THE POWER SUPPLY.

In case the screen is controlled via relais, take care that the control system is programmed so there is no tension on the relais for at least 1 sec. during switching between rolling up and rolling down operations and viceversa.

IT IS FORBIDDEN TO STAY UNDER THE PROJECTION SCREEN.

IT IS FORBIDDEN TO USE THE PROJECTION SCREEN OUTDOOR.

ONCE PROJECTION IS FINISHED, ROLL UP THE SCREEN (keeping the screen rolled down can cause deformations to the projection surface.

Fig. 1

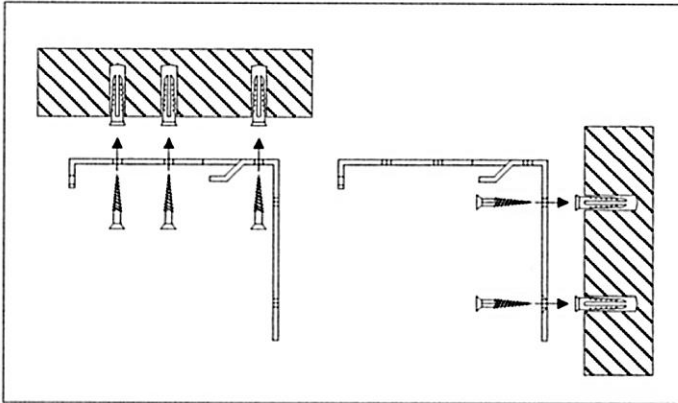


Fig. 2

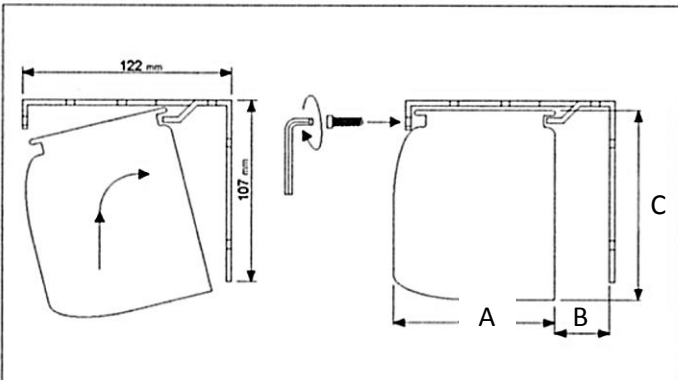
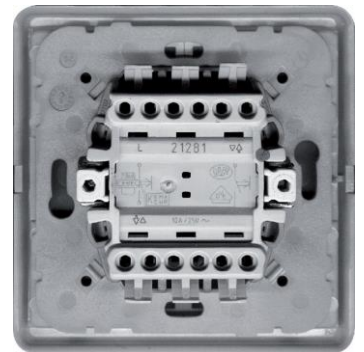
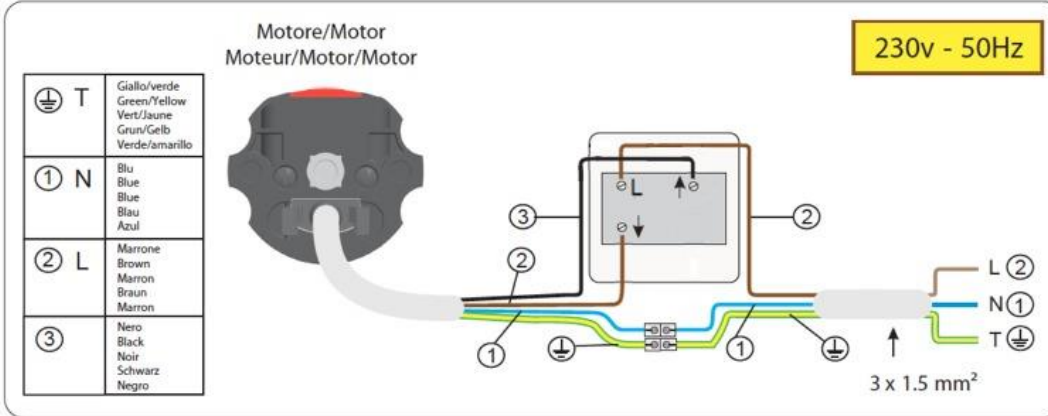


Fig. 3



MODEL	FRONT FALL		REVERSE FALL (TD)		C (cm)
	A (cm)	B (cm)	A (cm)	B (cm)	
HOMEVISION I	9,5	2,7	9,5	1,7	11,5
HOMEVISION II	12,5	1,5	12,5	0	13,5

PLEASE BE AWARE THAT DUE TO THE TEMPERATURE DIFFERENCES THAT MAY OCCUR DURING TRANSPORT & STORAGE THE PROJECTION SURFACE ON ALL ROLLER SCREENS CAN EXHIBIT PACKING LINES / IMPRESSIONS WHICH MAY BE VISIBLE AT THE FIRST ROLL DOWN OF THE SURFACE, THESE WILL DROP OUT AND DISSAPPEAR, IF THE SCREEN IS LEFT ROLLED DOWN IN A WARM ATMOSPHERE (18°C) FOR SHORT PERIOD.